

## **OSTUNI- SINGLE SEATER (SL-667-1S)**


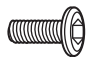
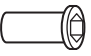
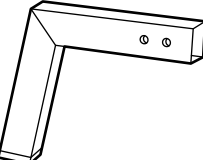

**ASSEMBLY INSTRUCTIONS**

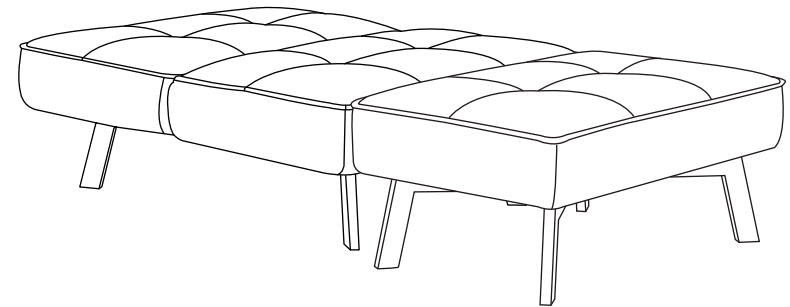
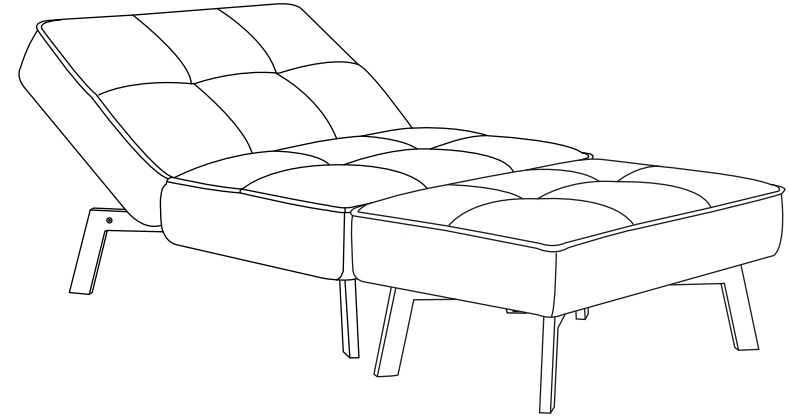
**IMPORTANT, RETAIN FOR FUTURE REFERENCE: READ CAREFULLY**

**PARTS AND HARDWARE**

**IMPORTANT**

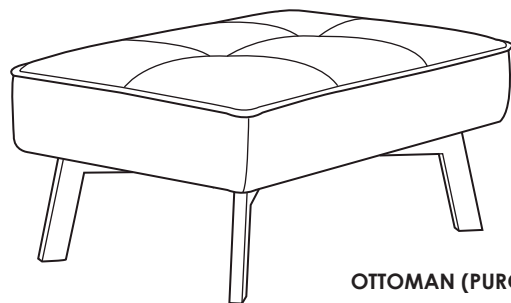
- Avoid using sharp objects to open packaging as you may accidentally damage the product.
- Please read complete instruction sheet prior to assembly.
- Minimum 2 adults required to safely perform assembly process.

| PART # | PART SKU#    | PART DESCRIPTION   | QUANTITY |
|--------|--------------|--|----------|
| A      | AK-M4        |                 | 2        |
| B      | BLT-1/4-0.78 | <br>1/4" x 20mm | 8        |
| C      | RNT-1/4      |                 | 8        |
| D      | ML-1003      |                | 4        |
| E      | N/A          |               | 1        |

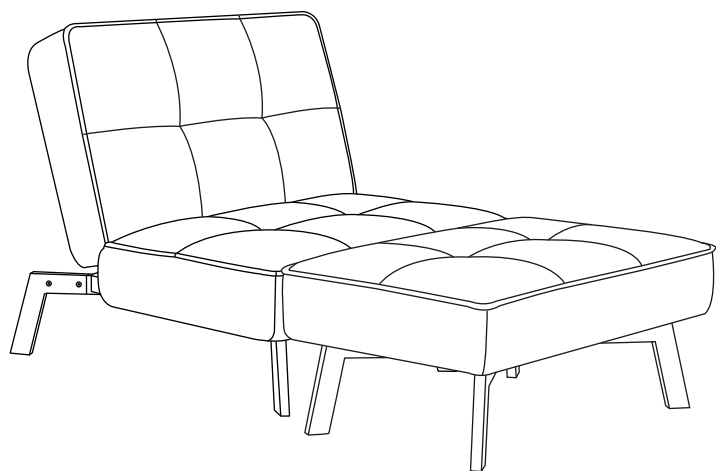


## TO USE AS A DAYBED

Combination of single seater and ottoman (purchased separately) is required.

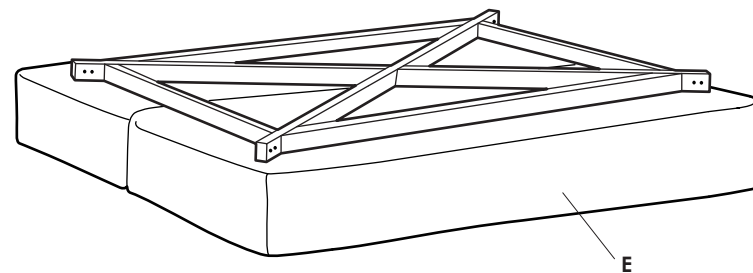


OTTOMAN (PURCHASED SEPARATELY)

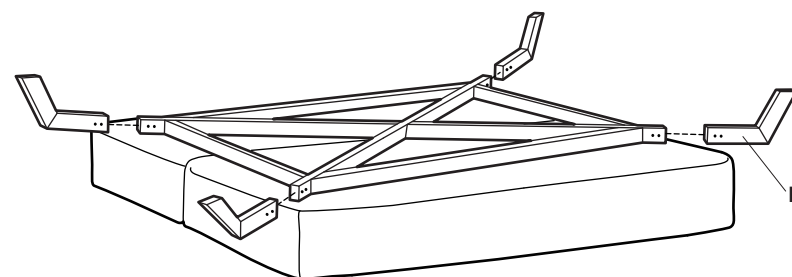


## ASSEMBLY INSTRUCTIONS

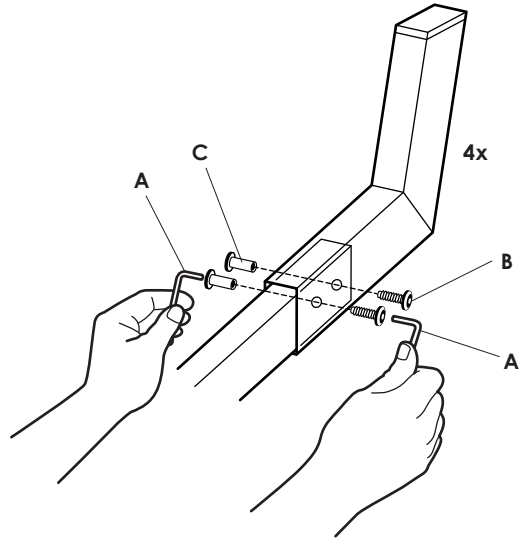
1



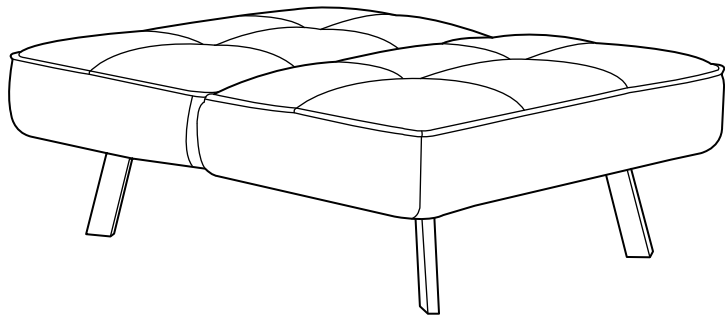
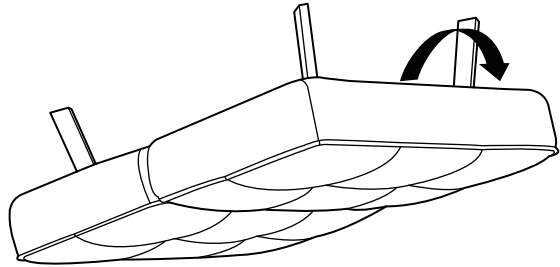
2



3



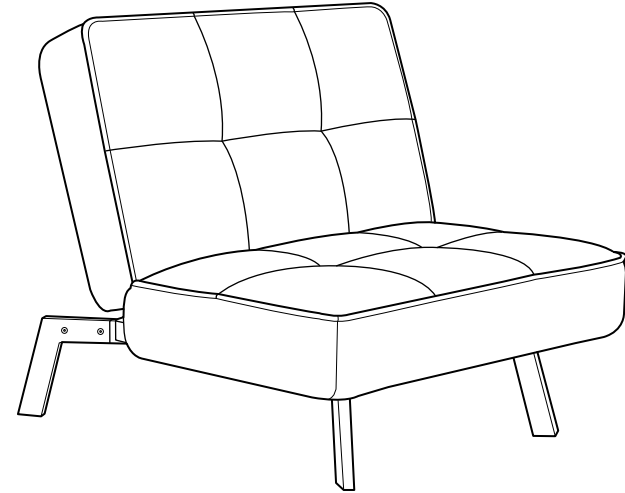
4



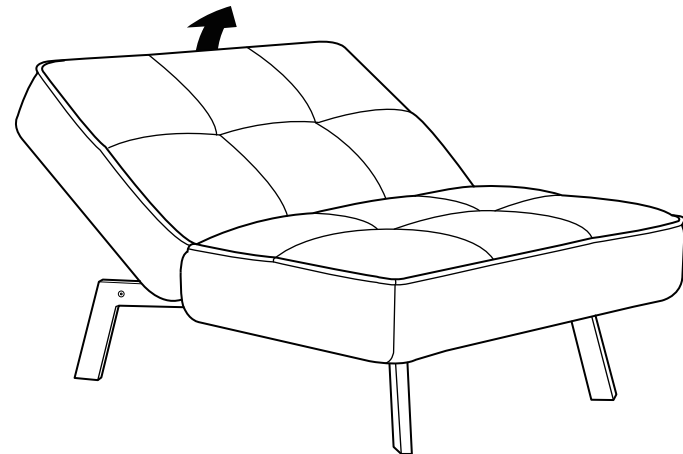
**OPERATING YOUR UNIT**

**CONVERTING TO CHAIR**

Standing at the side of the unit (from bed position), lift backrest to the desired position and secure in place by releasing to the sound of a click.



**CHAIR**



**LOUNGER**