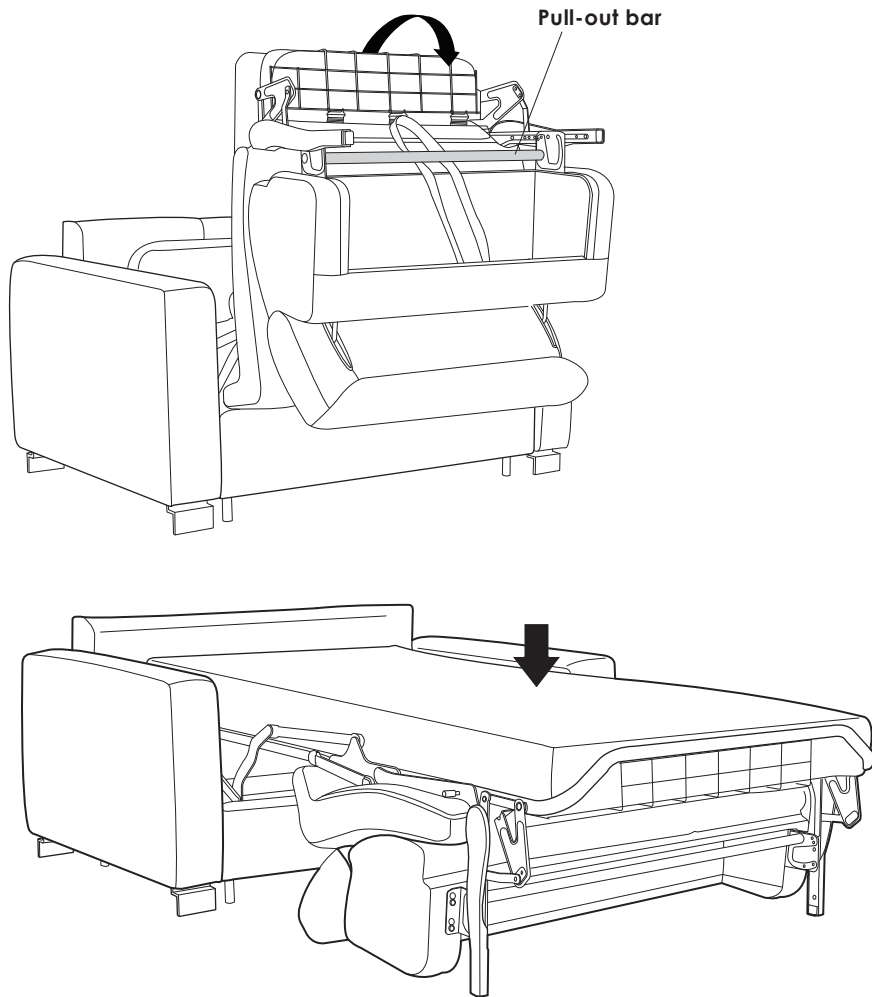
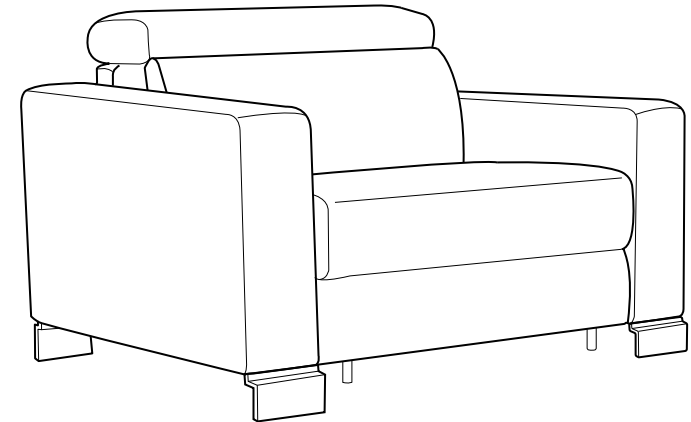


3. Pull front of bedframe pull-out bar until bed extends fully.



#### CONVERTING BED TO SOFA

Reverse STEP 3 - 1



## ALTAMURA- SINGLE SOFA SLEEPER (P0148134)

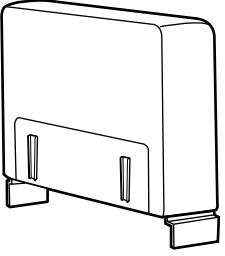
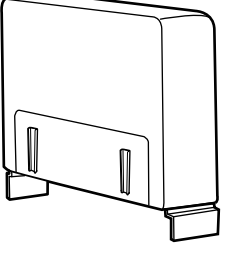
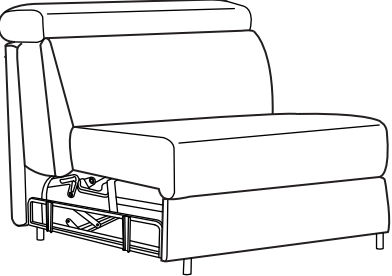
ASSEMBLY INSTRUCTIONS

IMPORTANT, RETAIN FOR FUTURE REFERENCE: READ CAREFULLY

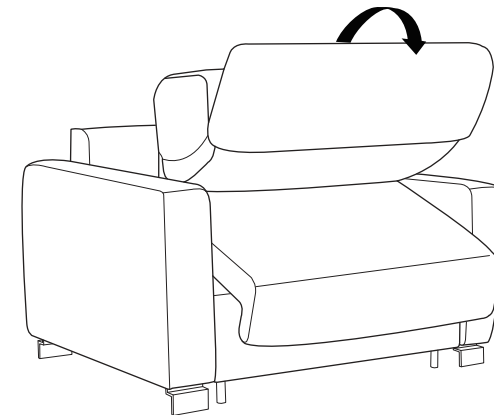
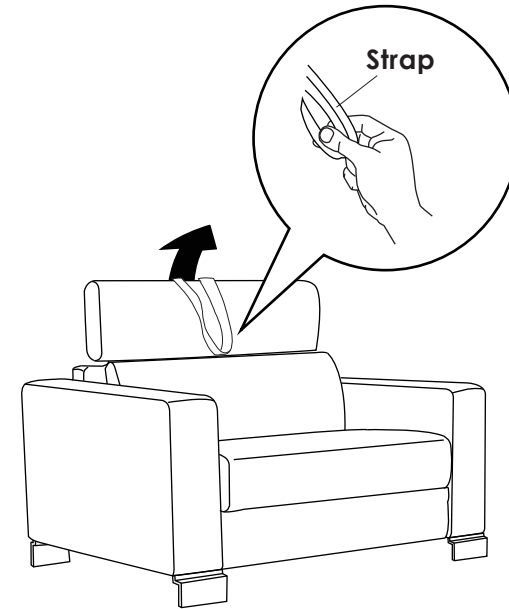
**PARTS AND HARDWARE**

**IMPORTANT**

- Avoid using sharp objects to open packaging as you may accidentally damage the product.
- Please read complete instruction sheet prior to assembly.
- Minimum 2 adults required to safely perform assembly process.

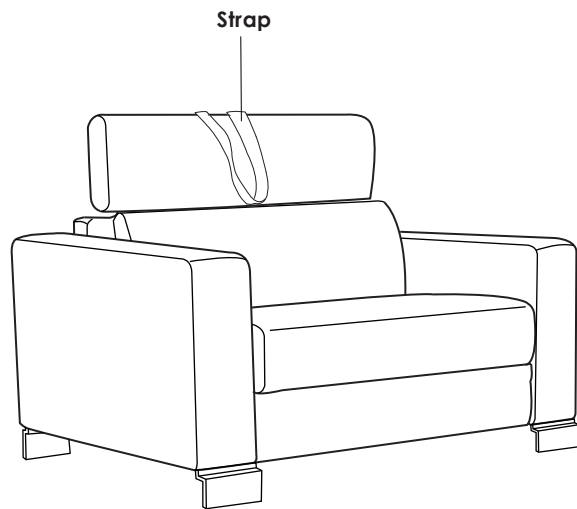
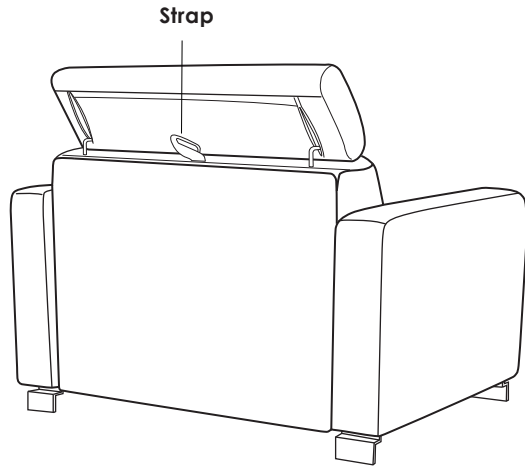
PART #	PART SKU#	PART DESCRIPTION	QUANTITY
A	N/A	 <p style="text-align: right;">LEFT ARM</p>	1
B	N/A	 <p style="text-align: right;">RIGHT ARM</p>	1
C	N/A		1

2. By using the straps, pull the backrest towards you (up + out!)



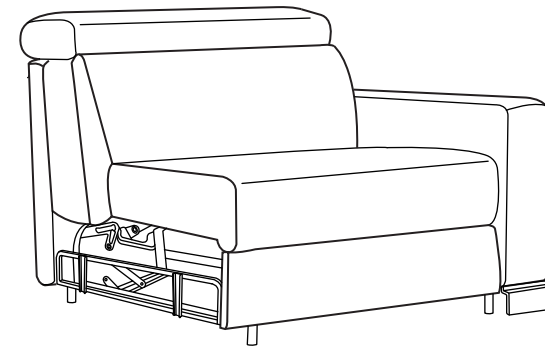
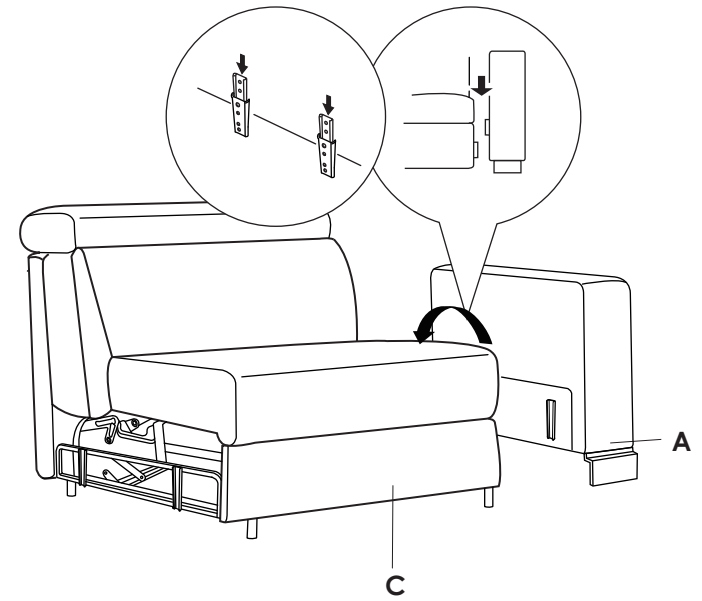
## CONVERTING INTO BED

1. Pull-out strap behind of backrest and place in front of the unit.

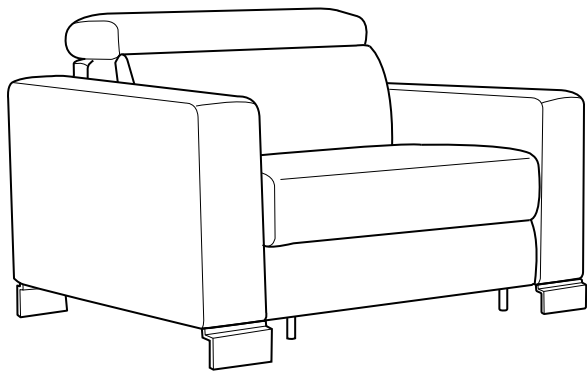
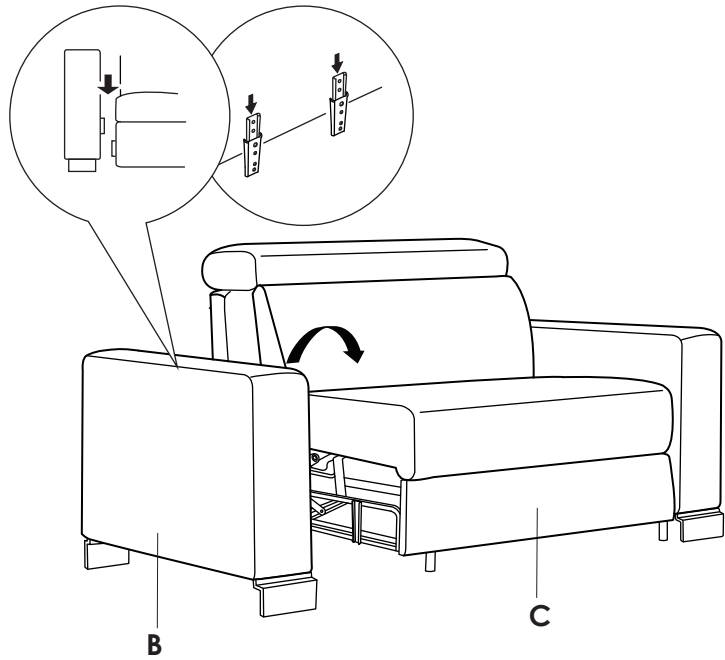


## ASSEMBLY INSTRUCTIONS

1



2



## OPERATING YOUR UNIT

### ADJUSTABLE HEADREST

5 levels of manual adjustable headrest for extra head support.

