



ALTAMURA-RECLINER CHAIR (P0147104)


ASSEMBLY INSTRUCTIONS

IMPORTANT, RETAIN FOR FUTURE REFERENCE: READ CAREFULLY

PARTS AND HARDWARE

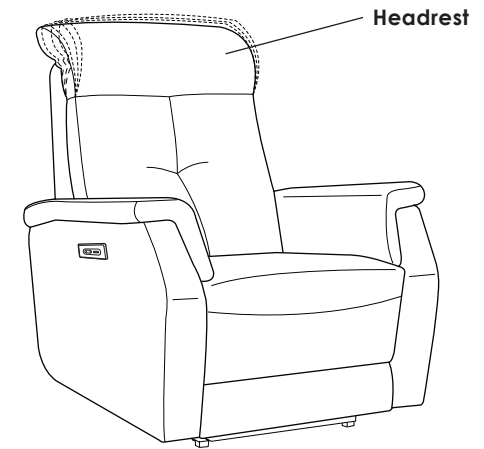
IMPORTANT

- Avoid using sharp objects to open packaging as you may accidentally damage the product.
- Please read complete instruction sheet prior to assembly.
- Minimum 2 adults required to safely perform assembly process.

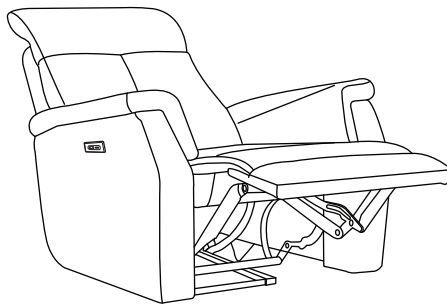
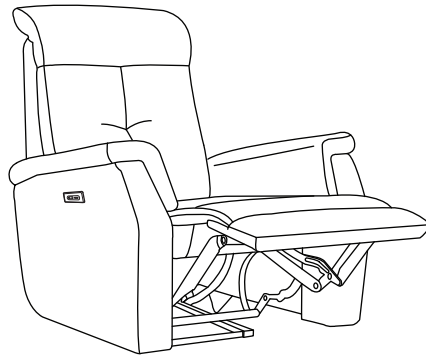
PART #	PART SKU#	PART DESCRIPTION	QUANTITY
A	N/A		1

ADJUSTING HEADREST POSITION

- The headrest can be manually adjusted to any desired position.



- Position of recliner that can be configured by using power button.



⚠ WARNING

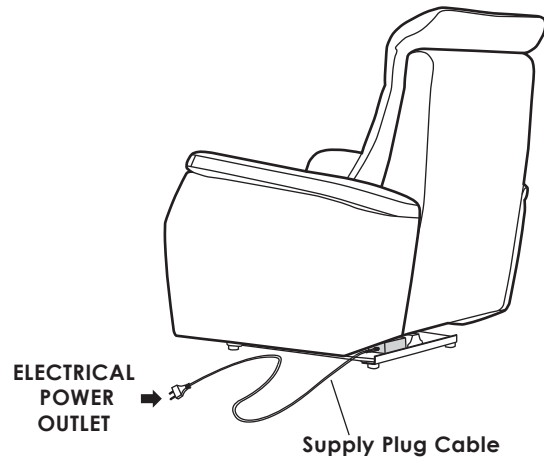
IMPORTANT SAFETY INSTRUCTIONS

Important: Read these instructions thoroughly before using.

- This recliner chair should never be left unattended when in operation.
- Unplug recliner chair from outlet before relocating or troubleshooting.
- Do not connect an extension cord to this unit. Plug directly into wall outlet.
- Close supervision is necessary when this lift chair is used by, on or near children, invalids, or disabled persons.
- Only the occupant should operate the unit. Never attempt to open the legrest by pulling it on.
- Do not stand, sit or place extra weight on the arms, back or open legrest.
- To safely exit the unit and prevent a tripping hazard bring the back upright and close the legrest.
- Do not use this product if it is damaged. Do not use attachments or substitute components.
- Do not use outdoors. INDOOR USE ONLY.
- Provide a clear path for operation of the chair, back and legrest. Place table and area rugs at a distance to allow the legrest to fully extend without rubbing or interference.
- Check the condition of the power transformers, electrical cords, plug or connector monthly. Keep the power transformers and electrical cords away from heat sources and pinch points. Never operate the unit with a damaged power transformer, electrical cord, plug or connector.
- This product is not intended for use as a health care device.
- To disconnect the power cords, change the position of lift chair to original position, then remove plug from wall outlet.

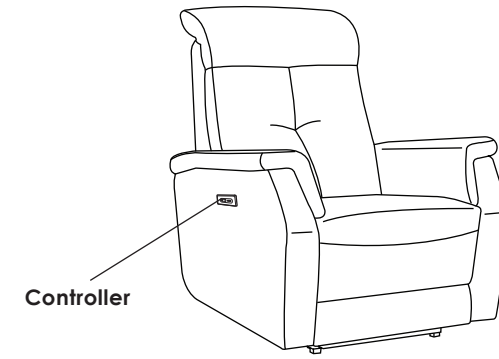
ASSEMBLY INSTRUCTIONS


- 1 Locate the Supply Plug Cable secured to the rear rail of the recliner chair body.

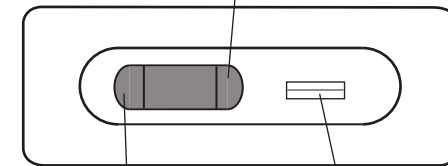


OPERATING YOUR UNIT

- The controller for adjusting the backrest and legrest is located on the right side sitting arm.



Press and hold  button to raise the legrest and recline the chair back



USB port

Press and hold  button to return to the seated position from the reclined position