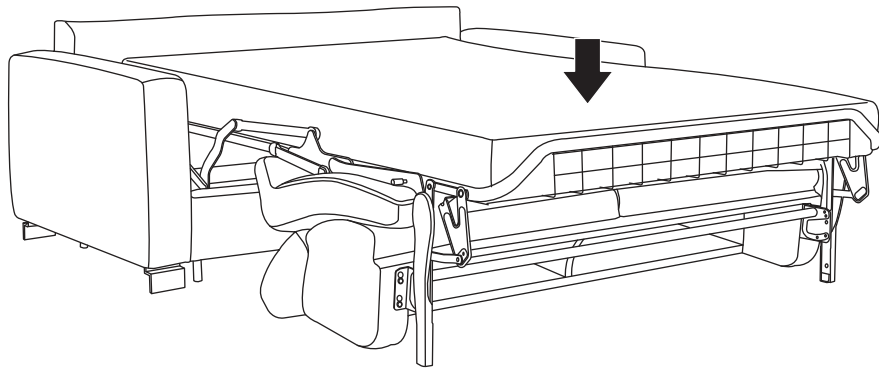
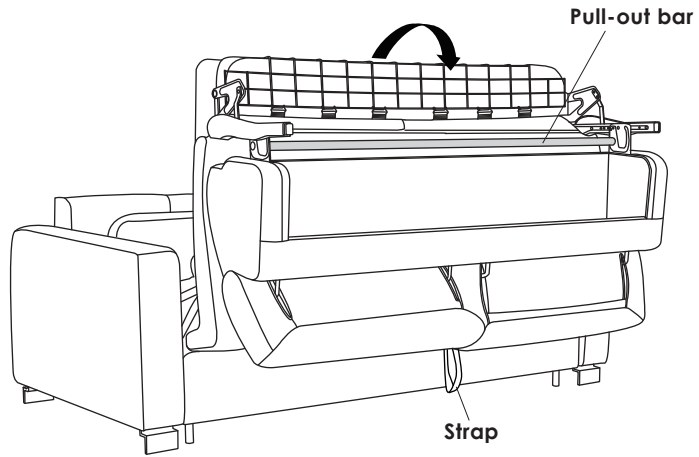
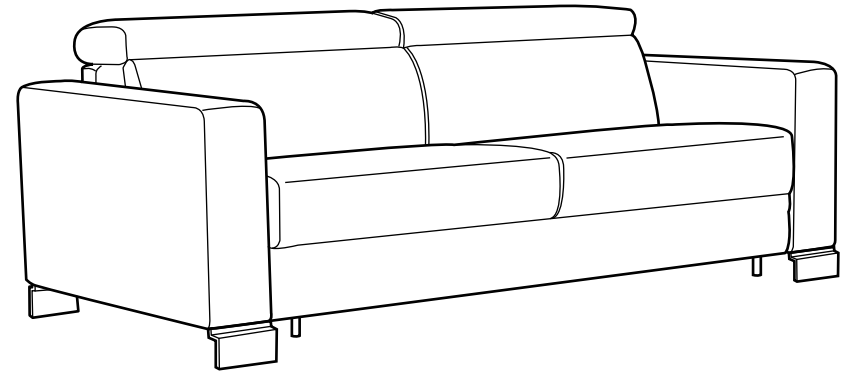


3. Pull front of bedframe pull-out bar until bed extends fully.



CONVERTING BED TO SOFA

Reverse STEP 3 - 1



ALTAMURA- DOUBLE SOFA SLEEPER (P0148320)

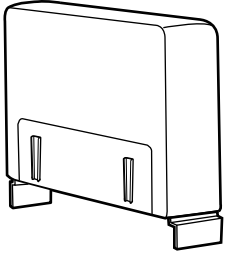
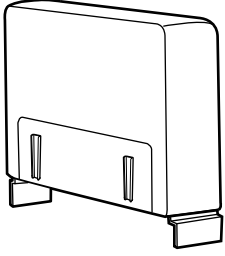
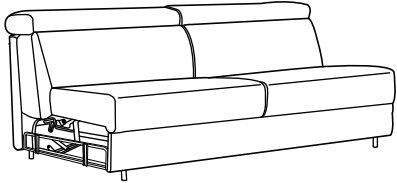
ASSEMBLY INSTRUCTIONS

IMPORTANT, RETAIN FOR FUTURE REFERENCE: READ CAREFULLY

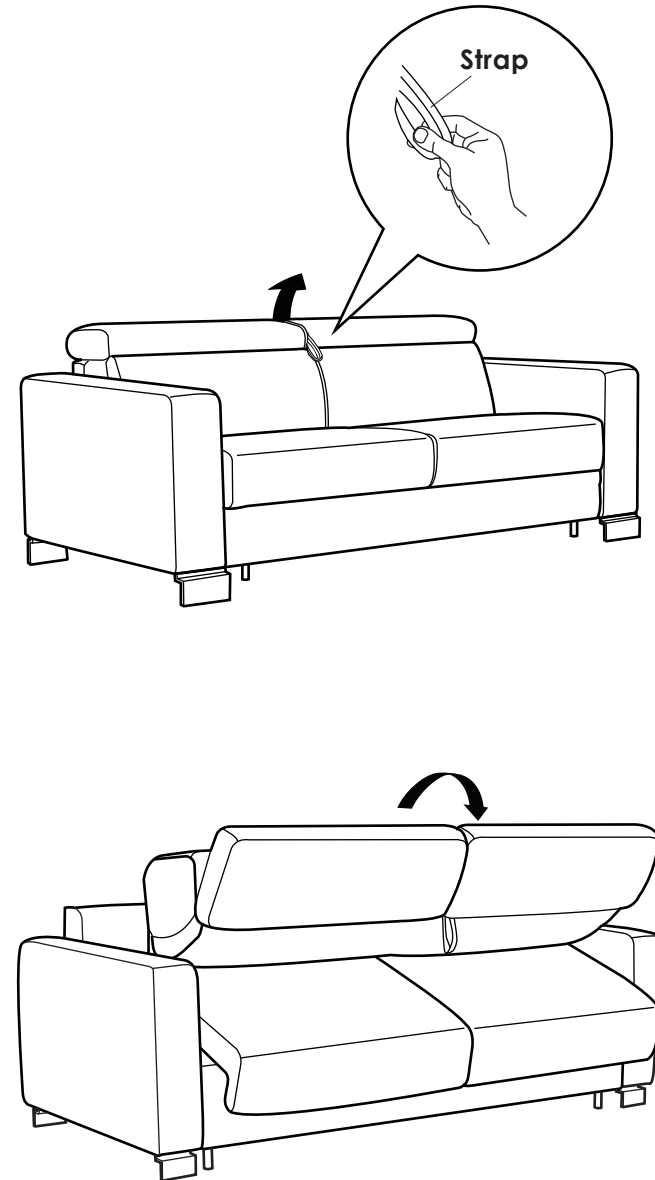
PARTS AND HARDWARE

IMPORTANT

- Avoid using sharp objects to open packaging as you may accidentally damage the product.
- Please read complete instruction sheet prior to assembly.
- Minimum 2 adults required to safely perform assembly process.

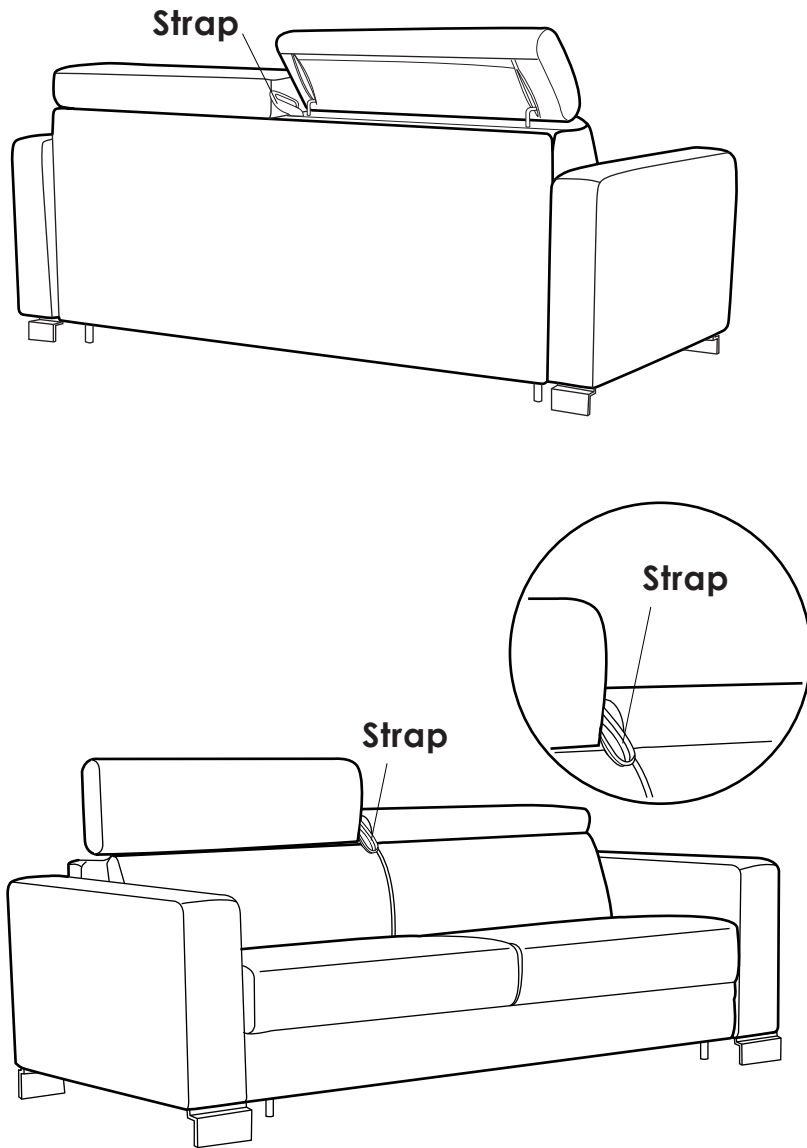
PART #	PART SKU#	PART DESCRIPTION	QUANTITY
A	N/A	 <p style="text-align: right;">LEFT ARM</p>	1
B	N/A	 <p style="text-align: right;">RIGHT ARM</p>	1
C	N/A		1

2. By using the straps, pull the backrest towards you (up + out!)



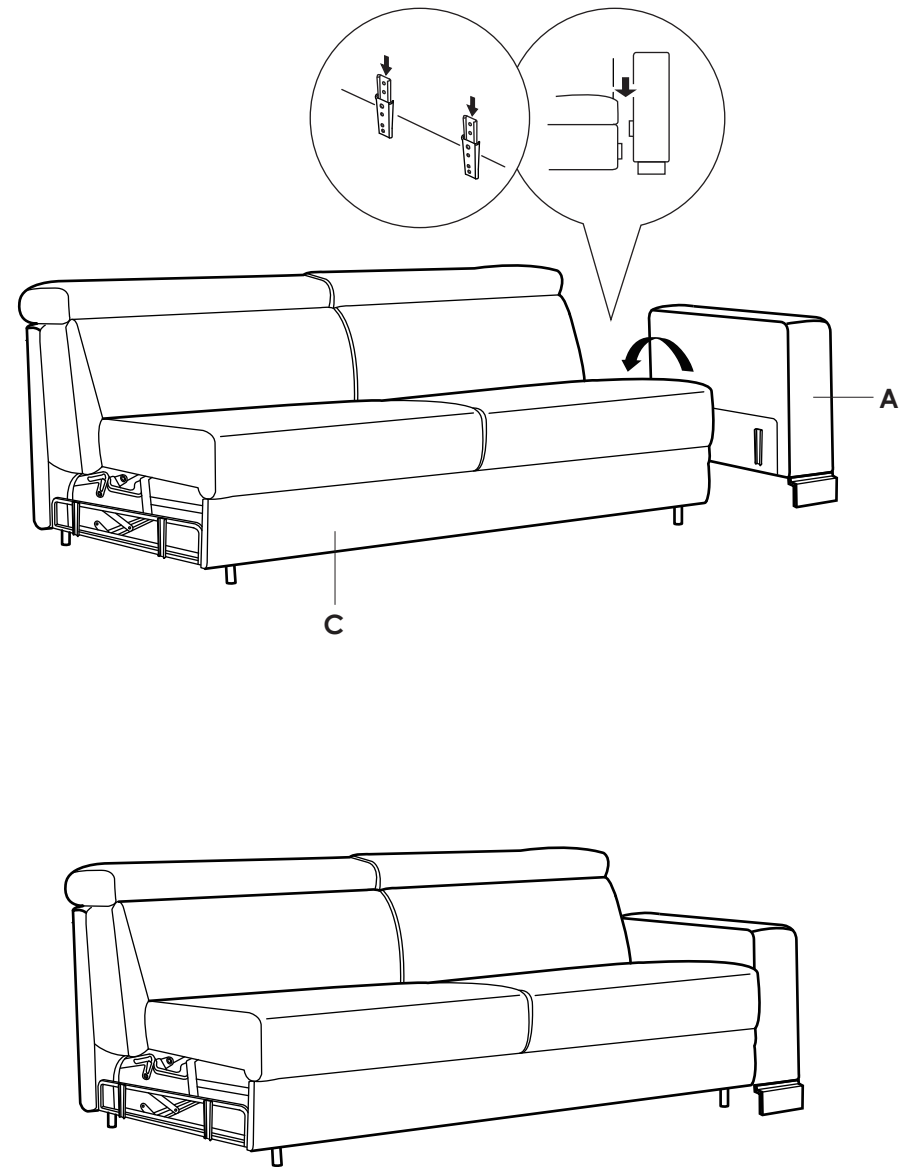
CONVERTING INTO BED

1. Pull-out strap behind of backrest and place in front of the unit.

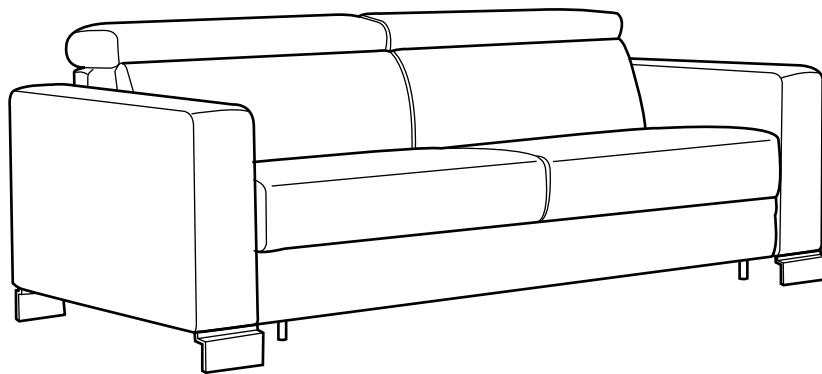
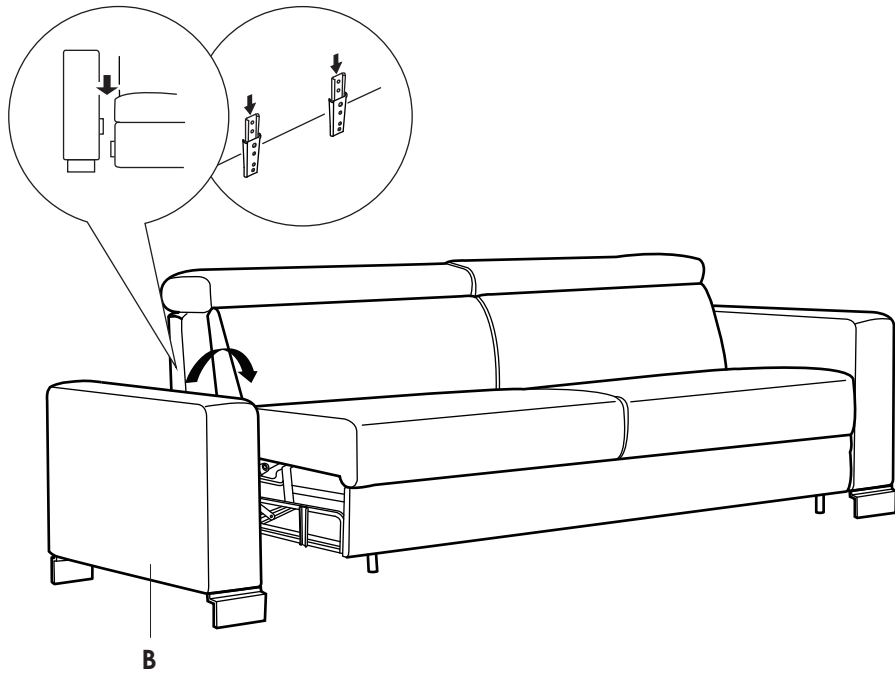


ASSEMBLY INSTRUCTIONS

1



2



OPERATING YOUR UNIT

ADJUSTABLE HEADREST

5 levels of manual adjustable headrest for extra head support.

